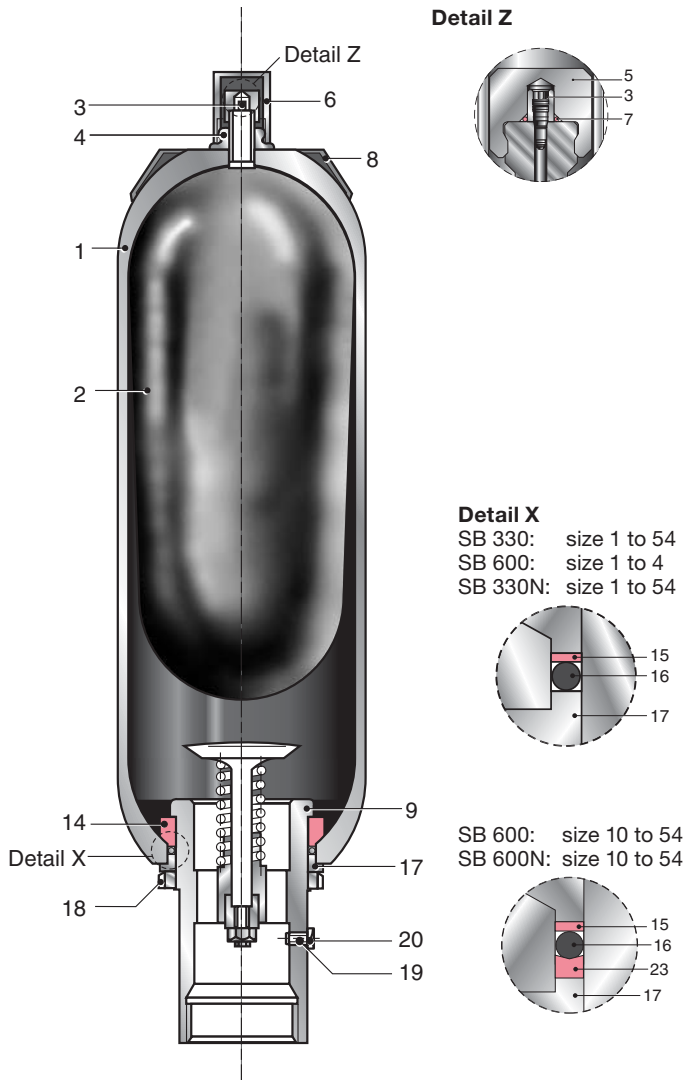


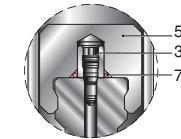
Bladder Accumulators

Spare Parts

**Bottom Repairable SB330, SB330H, SB330N
SB600, SB600N**

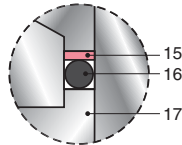


Detail Z

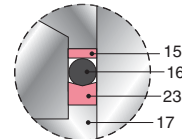


Detail X

SB 330: size 1 to 54
SB 600: size 1 to 4
SB 330N: size 1 to 54



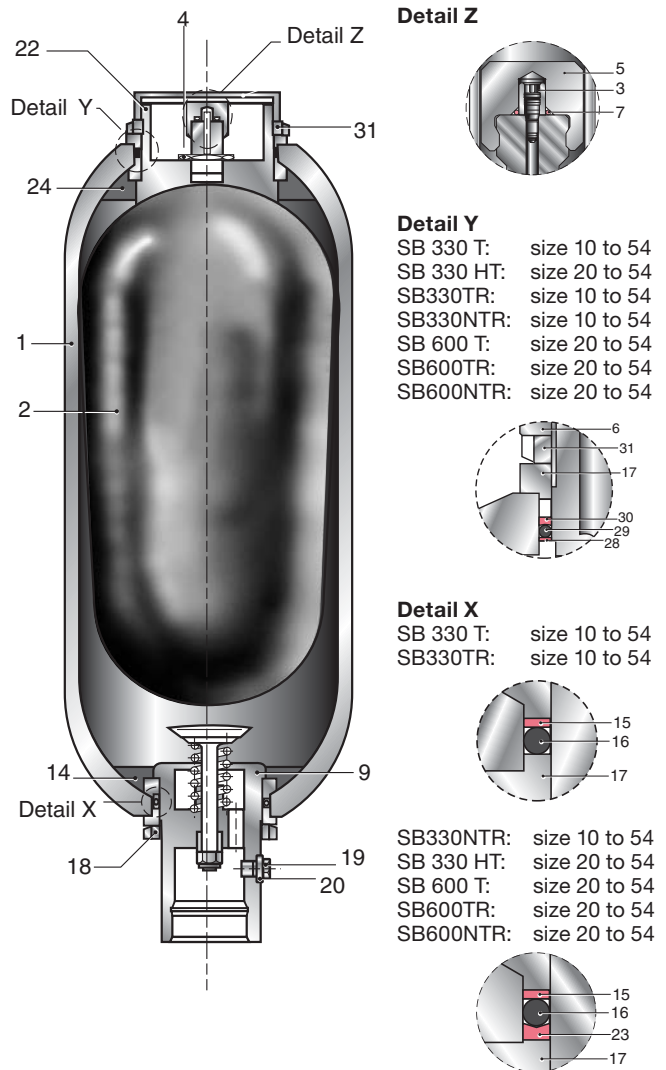
SB 600: size 10 to 54
SB 600N: size 10 to 54



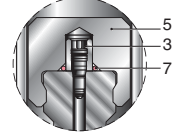
Repair Kits consist of items
2, 3, 4 (SB 600 only), 5, 7, 15, 16, 23 (where applicable)

Seal Kits consist of items
15, 16, 23 (where applicable)

**Top Repairable SB330T, SB330HT, SB330TR,
SB330NTR, SB 600T, SB600TR, SB600NTR**

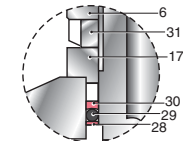


Detail Z



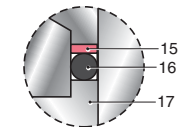
Detail Y

SB 330 T: size 10 to 54
SB 330 HT: size 20 to 54
SB330TR: size 10 to 54
SB330NTR: size 10 to 54
SB 600 T: size 20 to 54
SB600TR: size 20 to 54
SB600NTR: size 20 to 54

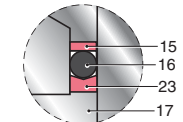


Detail X

SB 330 T: size 10 to 54
SB330TR: size 10 to 54



SB330NTR: size 10 to 54
SB 330 HT: size 20 to 54
SB 600 T: size 20 to 54
SB600TR: size 20 to 54
SB600NTR: size 20 to 54



Repair Kits consist of items
SB330T, SB330TR, SB330NTR SB600T, SB600TR, SB600NTR:
2, 3, 5, 7, 15, 16, 23 (where applicable), 28, 29, 30
SB330HT: 2, 3, 5, 7, 23 (where applicable), 28, 29, 30

Seal Kits consist of items
15, 16, 23 (where applicable), 28, 29, 30

Parts Legend

Gas Side

- 1 Shell
- 2 Bladder
- 3 Gas Valve Core
- 4 Gas Side Lock Nut
- 5 Valve Seal Cap
- 6 Valve Protection Cap
- 7 O-ring

- 8 Name Plate
- 22 Gas Port Adapter
- 24 Anti-extrusion Ring
- 28 Flat Ring
- 29 O-ring
- 30 Back-up Ring
- 31 Gas Port Lock Nut

Fluid Side

- 9 Fluid Port
- 14 Anti-extrusion Ring
- 15 Flat Ring
- 16 O-ring
- 17 Spacer Ring
- 18 Fluid Port Lock Nut
- 19 Vent Screw
- 20 Seal Ring
- 23 Back-up Ring

HYDAC Seal Kits & Spare Parts

Seal Kits

For seal kits and repair kits other than Buna N, and for sizes not listed please consult factory.

Bottom Repairable - Buna N*

| Size | 3000 PSI | | 5000 PSI | |
|---------------|---------------------|--------------------|---------------------|--------------------|
| | Fluid Port Seal Kit | Bladder Repair Kit | Fluid Port Seal Kit | Bladder Repair Kit |
| 1 (1 qt.) | 02054031 | 02054034 | 02054032 | 02054455 |
| 4 (1 gal.) | 02054032 | 02054035 | 02054032 | 02054035 |
| 6 (1.5gal.) | 02054032 | 02054677 | N/A | N/A |
| 10 (2.5 gal.) | 02054033 | 02054036 | 02054283 | 02054279 |
| 20 (5 gal.) | 02054033 | 02054037 | 02054283 | 02054280 |
| 32 (10 gal.) | 02054033 | 02054038 | 02054283 | 02054281 |
| 42 (11 gal.) | 02054033 | 02075963 | N/A | N/A |
| 54 (15 gal.) | 02054033 | 02054039 | 02054283 | 02054282 |

*For seal kits and repair kits other than Buna N, and for sizes and types not listed please contact HYDAC.

Tools

| Item | Part Number |
|------------------------------|-------------|
| Pull Rod | 00172054 |
| Gas Valve Torque Wrench | 02080987 |
| Gas Valve Core Tool | 00616886 |
| Spanner Wrenches: | |
| 1 Qt. - | 02054547 |
| 1-15 Gal - | 02054545 |
| High Flow and Top Repairable | 02054548 |

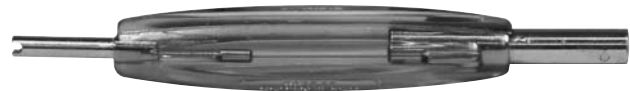


Pull Rod: comes complete with fittings for both HYDAC gas valve types, and 3 extension segments to accommodate accumulators up to 54 liter

Gas Valve Torque Wrench



Gas Valve Core Tool



Spanner Wrench



WARNING: Only qualified persons should perform maintenance on any type of accumulator. Complete maintenance instructions are available - Contact HYDAC.

Piston Accumulators

Seal Kits & Replacement Pistons

For seal kits other than Buna N, and for sizes not listed please consult factory.

Example: SK 350 - 20 / 2112 S - 210 FCF - VE - 18 E - 1 (see page 15 for details)

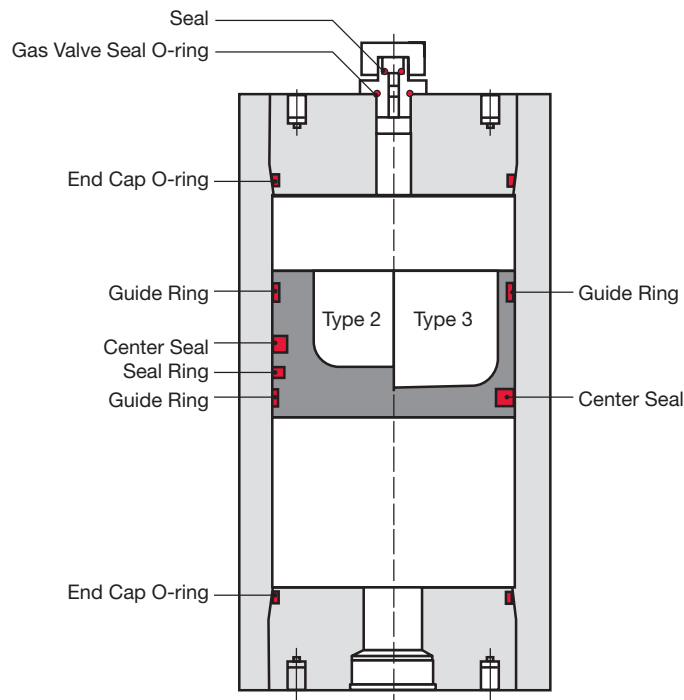
Piston Type Diameter

Piston Seal Kits

| Diameter | Type 2 (NBR) | Type 3 (PUR) |
|-------------|--------------|--------------|
| 06 (60mm) | — | 03016210 |
| 08 (80mm) | 02123890 | 03013230 |
| 10 (100 mm) | 00363268 | 02123414 |
| 12 (125 mm) | — | 02128104 |
| 15 (150 mm) | 03016235 | 03145418 |
| 18 (180 mm) | 00363270 | 02123415 |
| 25 (250 mm) | 00363266 | 03016213 |
| 31 (310 mm) | 02127308 | — |
| 35 (355 mm) | 00363272 | — |

Replacement Pistons - w/ Seals

| Diameter | Type 2 (NBR) | Type 3 (PUR) |
|-------------|--------------|--------------|
| 06 (60mm) | — | 03009372 |
| 08 (80mm) | 00352225 | 02119931 |
| 10 (100 mm) | 00356847 | 02115547 |
| 12 (125 mm) | 03016232 | 03016150 |
| 15 (150 mm) | 03016228 | 03016231 |
| 18 (180 mm) | 02118451 | 02121568 |
| 25 (250 mm) | 00353980 | 03016171 |
| 31 (310 mm) | 03004987 | — |
| 35 (355 mm) | 00356382 | — |



Tools

When repairing a piston accumulator, it is critical to use the appropriate tools to avoid seal damage.

There are two tools required:

Seal Assembly Tool:

allows for gradual and even stretching of the seals when installing them onto the piston

Piston Insertion Tool:

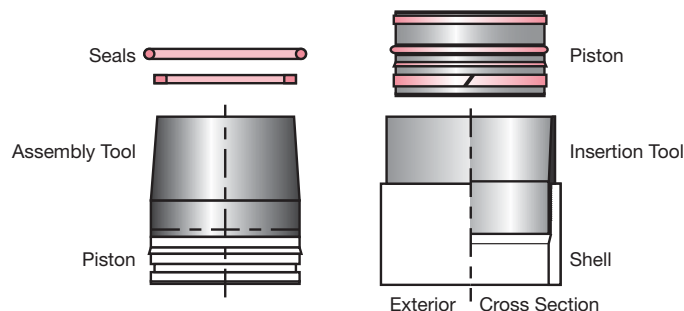
a tapered shroud that protects the seals from the threaded portion of the shell, and provides even seal compression and piston alignment when inserting the piston into the shell.

Tools

| Diameter | Seal Assembly | Piston Insertion |
|-------------|---------------|------------------|
| 08 (80 mm) | 00359537 | 00359614 |
| 10 (100 mm) | 00352198 | 00290056 |
| 12 (125mm) | 03016278 | 02128223 |
| 15 (150 mm) | 02124157 | 02124161 |
| 18 (180 mm) | 00350148 | 00290049 |
| 25 (250 mm) | 00290035 | 00290046 |
| 31 (310 mm) | 02127304 | 02127305 |
| 35 (355 mm) | 00354147 | 00290985 |

For items not listed please contact HYDAC.

WARNING: Only qualified persons should perform maintenance on any type of accumulator. Complete maintenance instructions are available - Contact HYDAC.

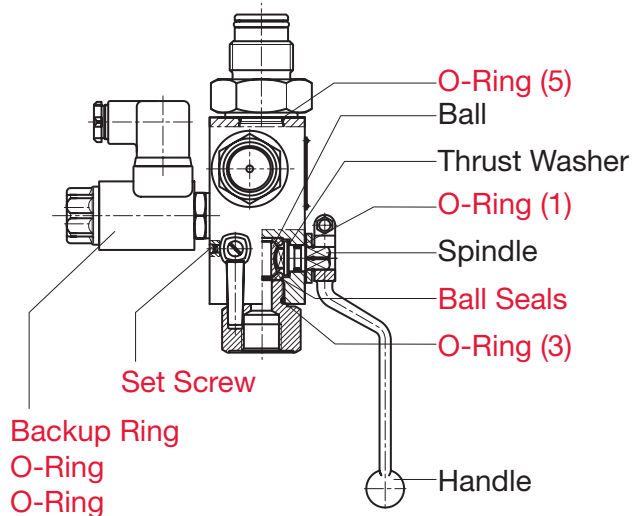


Safety & Shut-off Blocks

Seal Kits, Repair Kits, Spare Parts

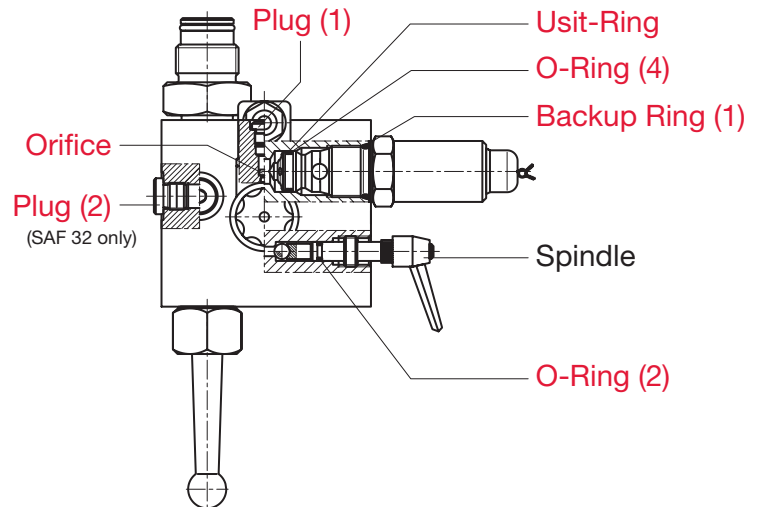
Repair Kits

| Series | Part Number |
|-----------|----------------|
| SAF 10... | 03154715 (FPM) |
| SAF 20... | 03154716 (FPM) |
| SAF 32... | 03154717 (FPM) |



Seal Kit (includes parts marked in red)

| Series | Part Number |
|-----------|----------------|
| SAF 10... | 03154712 (FPM) |
| SAF 20... | 03154713 (FPM) |
| SAF 32... | 03154714 (FPM) |



Dimensions for Spare Parts

| Item | SAF 10... | SAF 20... | SAF 32... |
|-----------------|-----------------|-----------------|-----------------|
| O-Ring (1) | 10 x 2 | 15 x 2.5 | 20 x 3 |
| O-Ring (2) | 6 x 2 | 6 x 2 | 6 x 2 |
| O-Ring (3) | 21 x 2 | 34 x 2.5 | 53 x 2.5 |
| O-Ring (4) | 18 x 2 | 18 x 2 | 18 x 2 |
| O-Ring (5) | 29.7 x 2.8 | 29.7 x 2.8 | 37.2 x 3 |
| Usit-ring | 18.3 x 21.5 x 1 | 18.3 x 21.5 x 1 | 18.3 x 21.5 x 1 |
| Backup Ring (1) | 23.47 x 2.62 | 23.47 x 2.62 | 23.47 x 2.62 |
| Plug (1) | 7/16-20UNF | 3/4-16UNF | 3/4-16UNF |
| Plug (2) | N/A | N/A | G1/8 |

O-ring dimensions are in mm

Solenoid

| 2-way solenoid operated bleed valve (without coil) | Old 2SV5 | New WSM |
|--|----------|----------|
| Normally Open (for SAF...E16Y) | N/A | 03055295 |
| Normally Closed (for SAF...E16Z) | N/A | 03055276 |

| Coil Kit for 2-way solenoid operated bleed valve | Old 2SV5 | New WSM |
|--|----------|----------|
| 24 V DC | 00715003 | 02083644 |
| 110 V AC | 00715033 | 02083645 |

Note: 2SV5 coils and WSM coils are not interchangeable.
When replacing a 2SV5 with a WSM you must also replace the coil with the WSM design.

Manual Bleed Valve

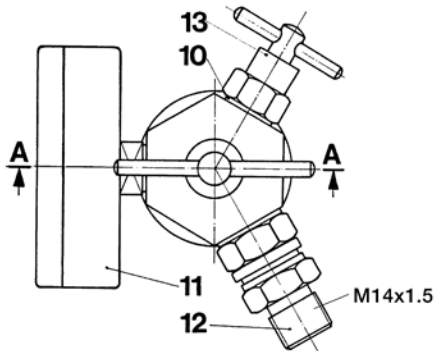
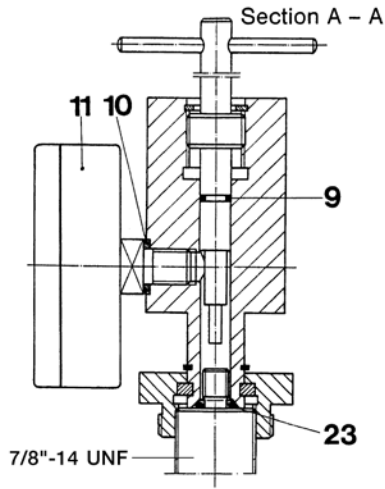
Consists of Spindle, Handle, Ball, O-Ring, and Set Screw

| | |
|----------|----------------|
| Part No. | 02115649 (FPM) |
|----------|----------------|

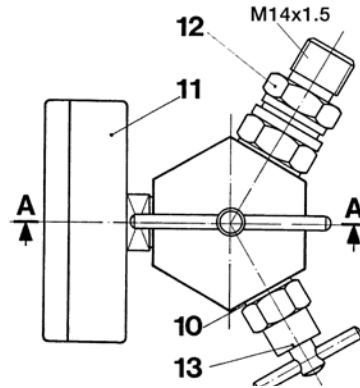
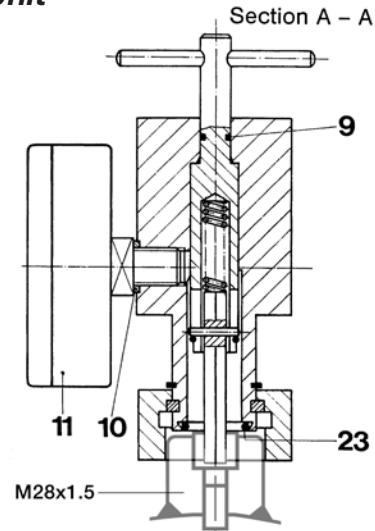
Charging & Gauging Units

Spare Parts

FPS Unit



FPK Unit



| Item | Description | Part No. |
|------|-------------------------------------|----------|
| 9 | O-Ring | 00601032 |
| 10 | Seal-Ring | 00601228 |
| 11 | Gauge (select pressure range below) | |
| | 10 (0 to 145 psi) | 00606759 |
| | 25 (0 to 350 psi) | 00606760 |
| | 100 (0 to 1400 psi) | 00606761 |
| | 250 (0 to 3500 psi) | 00606762 |
| | 400 (0 to 5800 psi) | 00606763 |
| 12 | Check Valve | 00610004 |
| 13 | Manual Bleed Valve | 00236445 |
| 23 | O-Ring - FPS | 00626488 |
| | O-Ring - FPK | 00601049 |
| - | 2.5m Hose | 00236514 |
| - | 4m Hose | 00236515 |
| - | 10m Hose | 00373405 |
| - | ADAPTER G4 | 02068737 |
| - | ADAPTER A3 (FPK/SB) | 00291533 |
| - | O-Ring - ADAPTER A3 (FPK/SB) | 00601964 |

WARNING: Only qualified persons should perform maintenance on any type of accumulator. Complete maintenance instructions are available - Contact HYDAC.